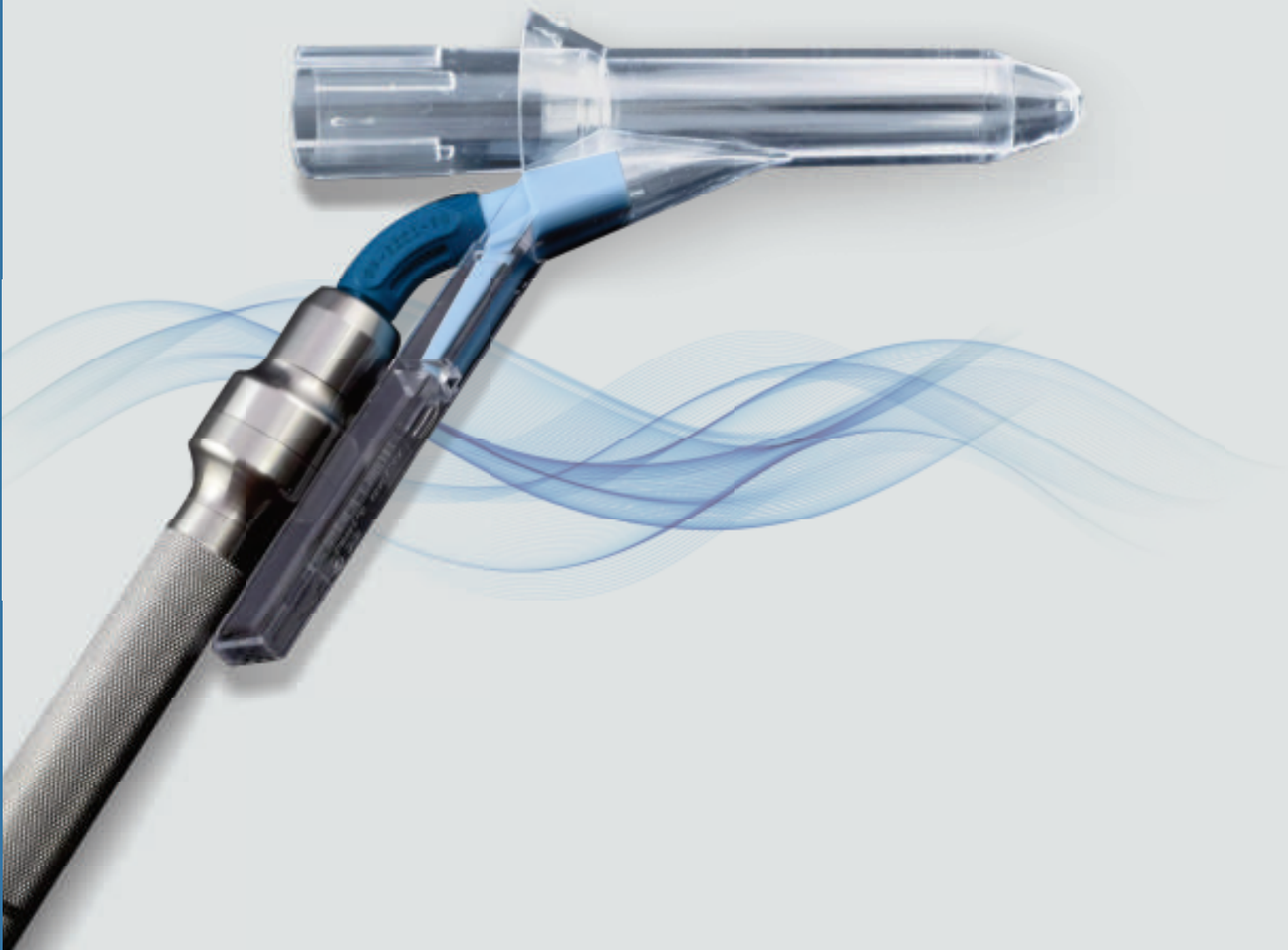


Anoscope Solospec[™]

Orion Concepts' anoscope with lamp holder is a disposable instrument manufactured in a clear environmentally friendly plastic. The anoscope is ergonomically and functionally designed for the comfort of both user and patient.

The lamp holder accepts the OCI single-use light guide*.

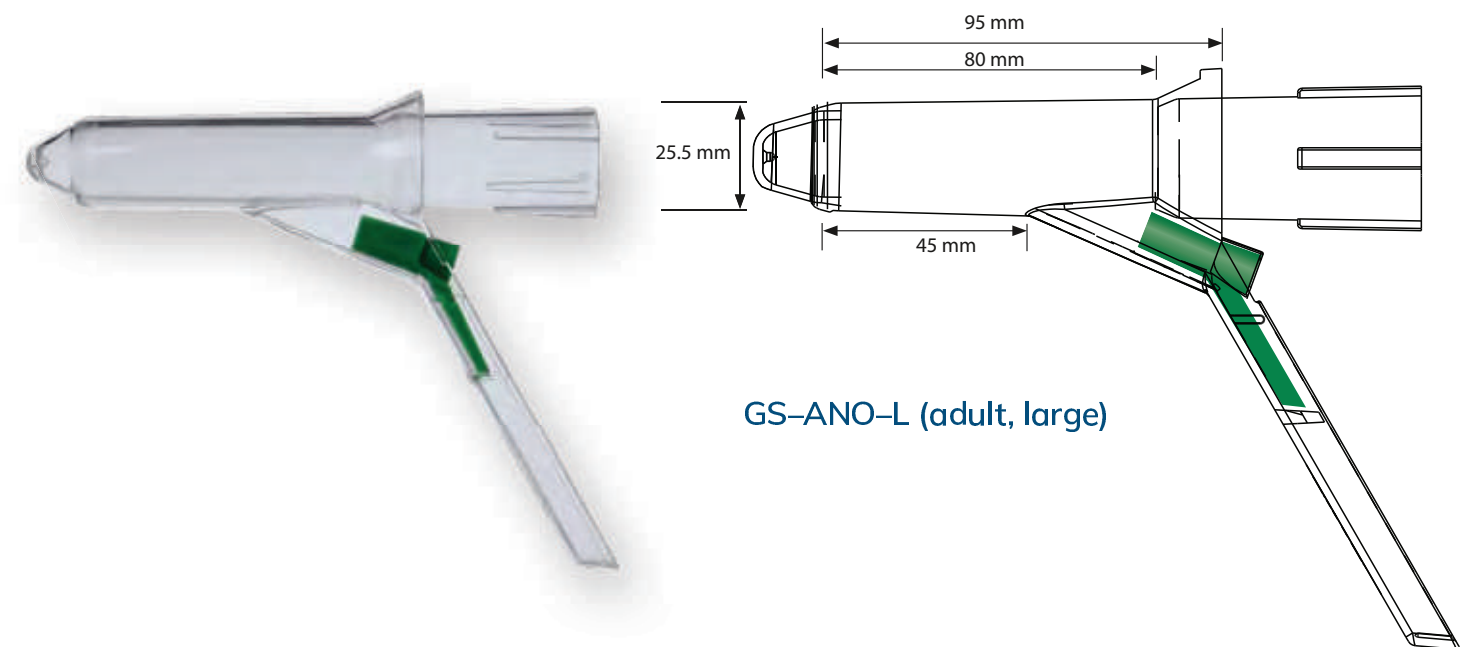
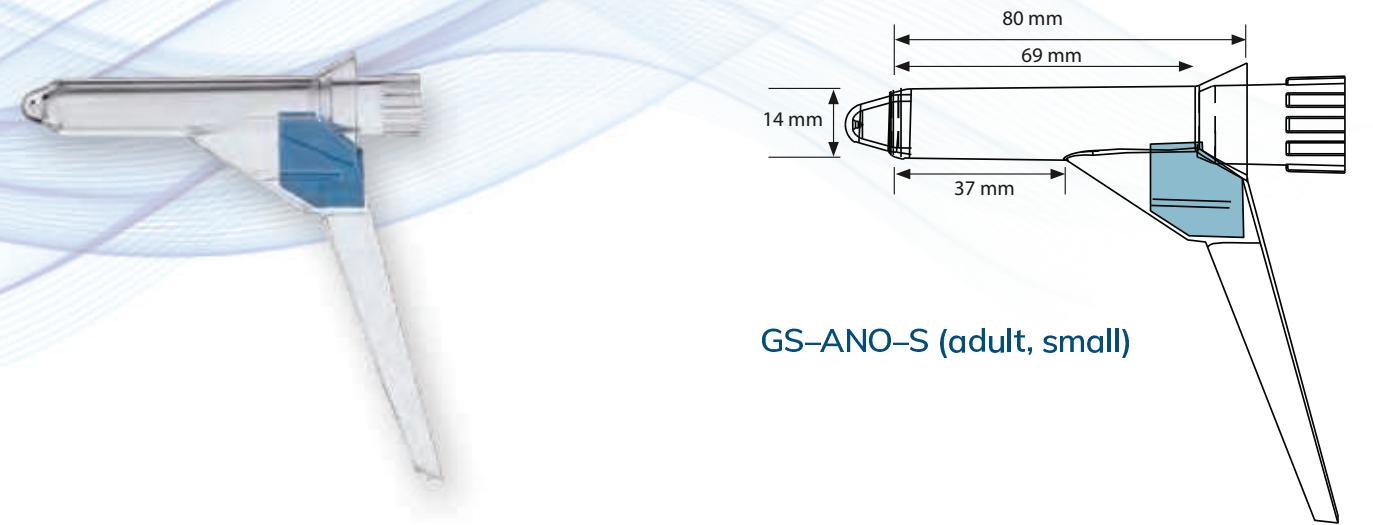
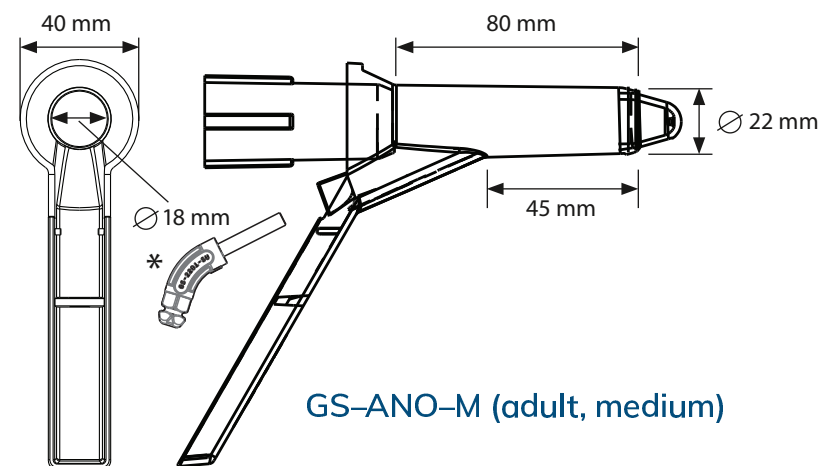
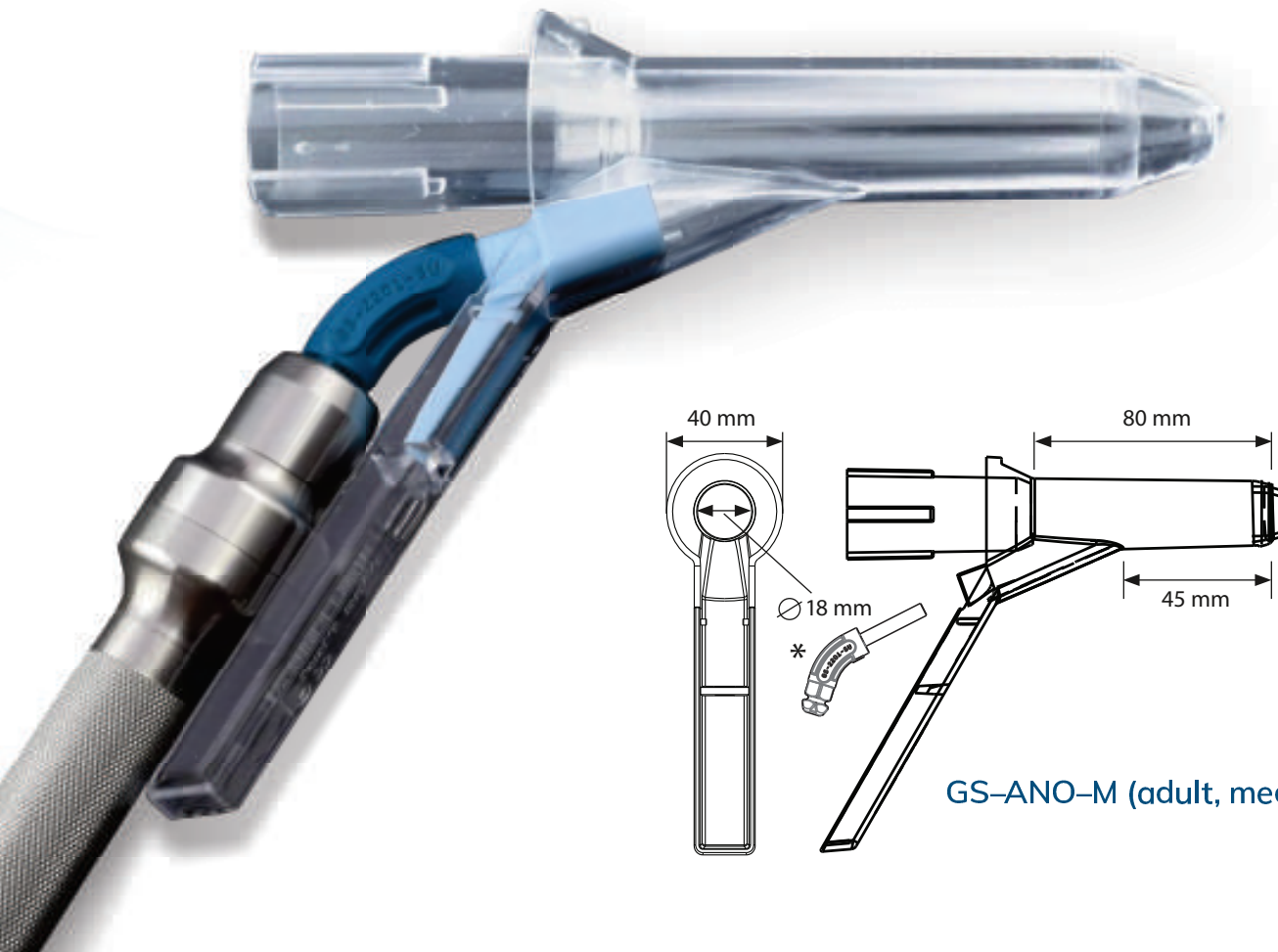


Benefits include

- Ease of use
- Optimal illumination in the proctoscope's distal tip
- A smooth transition between the tip of the obturator and the end of the proctoscope ensures maximum patient comfort
- Improvement in infection control and reduction in potential patient-to-patient cross-contamination
- Available in 3 different sizes

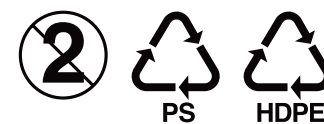
Material

- Polystyrene crystal, Polyethylene HD
- Not autoclaveable
- Environmentally friendly



Order Codes

- 42301-1 SoloSpec™ Disposable Anoscope - **Small**
- 42301-2 SoloSpec™ Disposable Anoscope - **Medium**
- 42301-3 SoloSpec™ Disposable Anoscope - **Large**



* GS-2201-SU Greenline Disposable Light Guide (fits all sizes)



Distributed by:

ORION[™] CONCEPTS orionconceptsinc.com

Manufacturer of GreenStar™ LED fiberoptic laryngoscope handles